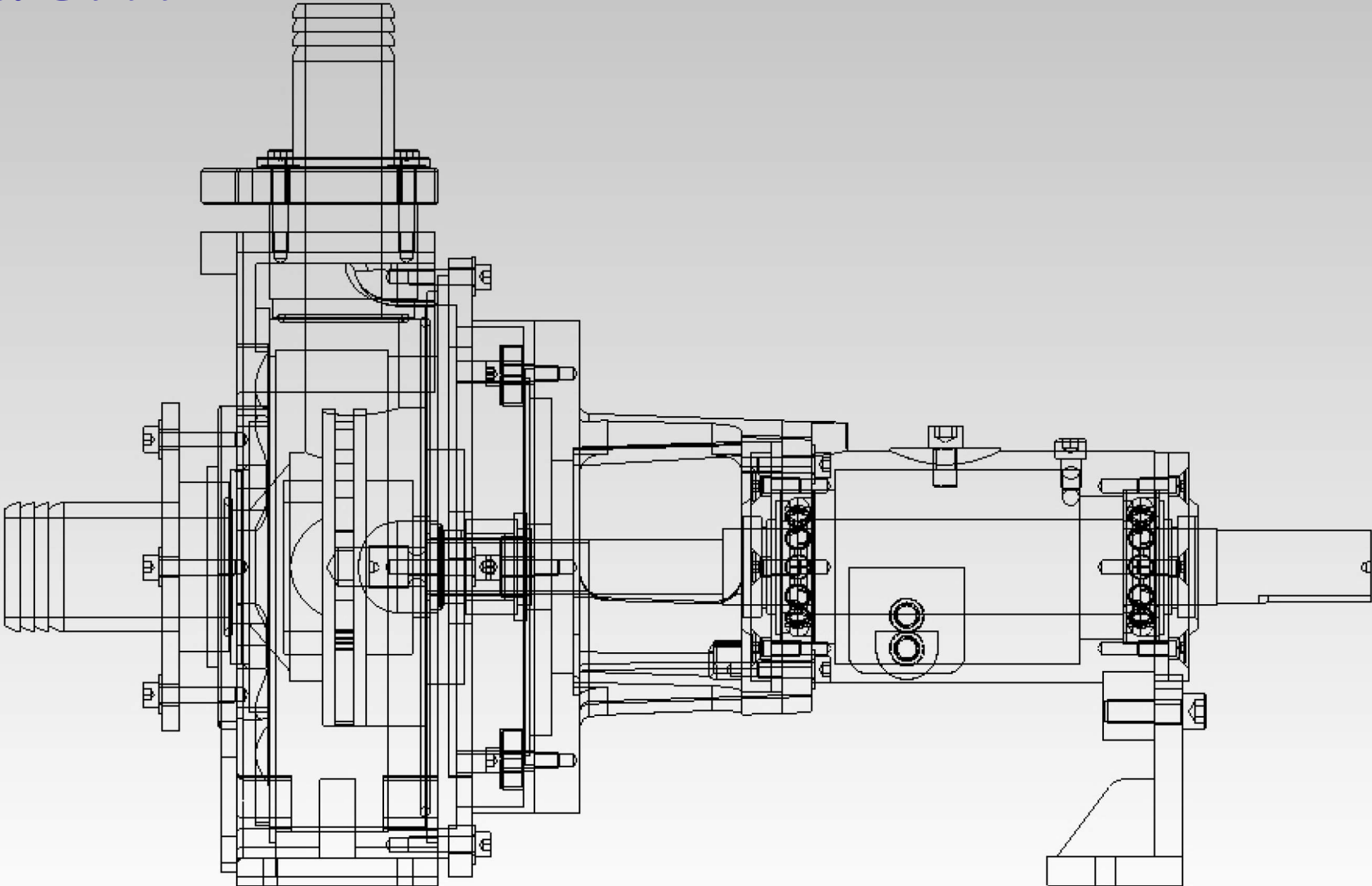


Model: BPH

**Sectional Drawing:**

Model: BPH



**BAHMAN PUMP**

**Performance Chart Pump**

Model	Speed (r/min)	Flowrate (m <sup>3</sup> /h)	Head (m)	Efficiency (%)	Motor Power (kw)		
					Medium Density (g/cm <sup>2</sup> )		
					1.0	1.35	1.85
BPH32-25-125	2900	3	17	44	1.1	1.5	2.2
		6	14.5	45			
		8	13	43			
	1450	1.5	5	42	0.37	0.55	0.75
		3	4	40			
		4	3.2	38			
BPH32-25-160	2900	3	31.5	43	1.5	2.2	3
		6	28	46			
		8	23	41			
	1450	1.5	6.6	39	0.75	1.1	1.5
		3	5.5	41			
		4	4.8	38			
BPH50-32-125	2900	7.5	19	43	2.2	3.0	4.0
		12.5	17	51			
		15	15	49			
	1450	3.5	5	36	0.55	0.75	1.1
		6	4	45			
		7	3.5	44			

BAHMAN PUMP

Model	Speed (r/min)	Flowrate (m <sup>3</sup> /h)	Head (m)	Efficiency (%)	Motor Power (kw)		
					Medium Density (g/cm <sup>2</sup> )		
					1.0	1.35	1.85
BPH50-32-125A	2900	6.8	16.5	40	1.5	2.2	3.0
		11.3	14.5	50			
		13.5	12.5	47			
	1450	3.4	4.3	34	0.55	0.75	0.75
		5.5	3	43			
		6.8	2.7	42			
BPH50-32-160	2900	7.5	31.5	33	3.0	4.0	5.5
		12.5	29	46			
		15	26	50			
	1450	3.5	7	29	0.75	1.1	1.5
		6.3	6.5	40			
		7.5	5.5	43			
BPH50-32-160A	2900	6.8	26.5	32	3.0	4.0	5.5
		11.3	24	44			
		13.5	21.5	47			
	1450	3.5	6	28	0.55	0.75	0.75
		5.7	5	39			
		6.5	4.5	42			

BAHMAN PUMP

Model	Speed (r/min)	Flowrate (m <sup>3</sup> /h)	Head (m)	Efficiency (%)	Motor Power (kw)		
					Medium Density (g/cm <sup>2</sup> )		
					1.0	1.35	1.85
BPH50-32-160B	2900	5.8	21	30	3.0	3.0	4.0
		9.5	19	42			
		11.2	17.9	45			
	1450	3.15	5	27	0.55	0.55	0.75
		5.25	4.5	38			
		6.3	4	41			
BPH50-32-200	2900	7	46.8	28	5.5	7.5	11
		11	41	39			
		13	38	43			
	1450	3.2	11.9	23	1.1	1.1	1.5
		5.5	10.5	33			
		7	9.5	36			
BPH50-32-200A	2900	6.8	40.5	27	4.0	5.5	7.5
		11.3	36.5	38			
		13	32.5	42			
	1450	3.1	9.6	22	0.75	1.1	1.5
		5.2	8.3	32			
		5.8	7.9	35			

BAHMAN PUMP

Model	Speed (r/min)	Flowrate (m <sup>3</sup> /h)	Head (m)	Efficiency (%)	Motor Power (kw)		
					Medium Density (g/cm <sup>2</sup> )		
					1.0	1.35	1.85
BPH50-32-200B	2900	6.3	35	26	4.0	5.5	7.5
		10.5	32.5	37			
		12.6	30.5	41			
	1450	3	5.5	21	0.55	0.75	1.1
		5	7	31			
		4.7	6.8	34			
BPH50-32-250	2900	7.5	72	23	11	15	18.5
		12.5	67	33			
		15	63	36.5			
	1450	3.5	18	17	2.2	3	4
		6	15.5	27			
		7.5	14	31			
BPH50-32-250A	2900	7	68	22	11	15	18.5
		11	64	32			
		13	59	35.5			
	1450	3.5	16	16	1.5	2.2	3.0
		5.5	14	26			
		7.0	13	30			

BAHMAN PUMP

Model	Speed (r/min)	Flowrate (m <sup>3</sup> /h)	Head (m)	Efficiency (%)	Motor Power (kw)		
					Medium Density (g/cm <sup>2</sup> )		
					1.0	1.35	1.85
BPH50-32-250B	2900	6.5	60	20	7.5	11	15
		10	58	30			
		11.5	55	34			
	1450	3	14	15	1.5	2.2	2.2
		4.8	12	25			
		6	11.5	29			
BPH65-50-125	2900	15	20	47	3.0	4.0	5.5
		25	17	62			
		30	15.5	63			
	1450	7.5	5	44	0.55	0.75	0.75
		11	4	55			
		13	3	56			
BPH65-50-125A	2900	13.6	15.5	45	2.2	3.0	4.0
		22	14.8	60			
		27	13	61			
	1450	6.5	4.5	42	0.55	0.55	0.75
		11	3.5	53			
		12.5	3	54			

BAHMAN PUMP

Model	Speed (r/min)	Flowrate (m <sup>3</sup> /h)	Head (m)	Efficiency (%)	Motor Power (kw)		
					Medium Density (g/cm <sup>2</sup> )		
					1.0	1.35	1.85
BPH65-50-125B	2900	10	12	44	1.5	2.2	3.0
		17	10	59			
		20	8	60			
	1450	5	3	41.5	0.55	0.55	0.55
		7	2.7	48.5			
		10	2	48			
BPH65-50-160	2900	15	30	44	5.5	7.5	11
		22	27	57			
		27	24	59			
	1450	7.5	7	39	0.75	1.1	1.5
		10	6	51			
		12	5	52.5			
BPH65-50-160A	2900	13	26	43	4.0	5.5	7.5
		20	22	56			
		24	20	58			
	1450	6	6	37	0.55	0.75	1.1
		9	5	49			
		10.5	4	51			

BAHMAN PUMP

Model	Speed (r/min)	Flowrate (m <sup>3</sup> /h)	Head (m)	Efficiency (%)	Motor Power (kw)		
					Medium Density (g/cm <sup>2</sup> )		
					1.0	1.35	1.85
BPH65-50-160B	2900	12.6	22	42	3.0	4.0	5.5
		21	19.5	55			
		25.2	18	57			
	1450	6.3	5	36	0.55	0.75	1.1
		10.5	4.6	48			
		12.6	4.1	50			
BPH65-40-200	2900	15	51	41	11	11	15
		25	45	52			
		30	41	53.5			
	1450	7.5	1.5	35	1.5	2.2	2.2
		12.5	11	46			
		15	10	47.5			
BPH65-40-200A	2900	14	43	39	7.5	11	15
		23.4	40	50			
		28	36	52			
	1450	7.0	11.6	34	1.1	1.5	2.2
		11.7	11	45			
		14	10.5	46			

**BAHMAN PUMP**

Model	Speed (r/min)	Flowrate (m <sup>3</sup> /h)	Head (m)	Efficiency (%)	Motor Power (kw)		
					Medium Density (g/cm <sup>2</sup> )		
					1.0	1.35	1.85
BPH65-40-200B	2900	12.6	38	38	5.5	7.5	11
		17	35	49			
		19	33	51			
	1450	6.3	8.5	33	0.75	1.1	1.5
		10.5	8.0	44			
		12.6	7.2	45			
BPH65-40-250	2900	15	75.2	34	15	22	30
		25	70	46			
		30	67.4	50			
	1450	7.5	18.3	28	2.2	3.0	4.0
		12.5	16	39			
		15	14.6	43			
BPH65-40-250A	2900	14	71	32	15	18.5	30
		23.4	65	44			
		28	61.5	47.5			
	1450	7.0	16.8	27	2.2	3.0	4.0
		11.7	15	38			
		14	13.2	42			

**BAHMAN PUMP**

Model	Speed (r/min)	Flowrate (m <sup>3</sup> /h)	Head (m)	Efficiency (%)	Motor Power (kw)		
					Medium Density (g/cm <sup>2</sup> )		
					1.0	1.35	1.85
BPH65-40-250B	2900	13.2	60.8	31	11	15	22
		22	59.8	43			
		26.4	57	47			
	1450	6.6	14	26	1.5	2.2	3.0
		11	13.5	37			
		13.2	12	41			
BPH65-40-315	1450	7.5	30.4	22	5.5	7.5	11
		12.5	28	33			
		15	26.7	37			
BPH65-40-315A	1450	7.0	25.9	21	4.0	5.5	7.5
		11.7	23.4	32			
		14	22.1	36			
BPH65-40-315B	1450	6.6	23.5	20	3.0	4.0	5.5
		11	22.1	31			
		13.2	21.7	35			
BPH65-40-315C	1450	6.2	20.3	19	3.0	4.0	5.5
		10.3	19	30			
		12.3	17.8	34			

BAHMAN PUMP

Model	Speed (r/min)	Flowrate (m <sup>3</sup> /h)	Head (m)	Efficiency (%)	Motor Power (kw)		
					Medium Density (g/cm <sup>2</sup> )		
					1.0	1.35	1.85
BPH80-65-125	2900	30	20.7	60	5.5	7.5	11
		43	17	69			
		50	15.2	67			
	1450	15	4.2	54	0.75	1.1	1.5
		25	3.9	64			
		30	3.1	62			
BPH80-65-125A	2900	26	17	58	4.0	5.5	7.5
		39	15	67			
		47	12.5	65			
	1450	12	3.5	52	0.55	0.75	1.1
		21	3.3	62			
		24	2.8	60			
BPH80-65-125B	2900	21	14	57	3.0	4.0	5.5
		35	11	66			
		43	10	64			
	1450	11	3	51	0.55	0.75	1.1
		17	2.5	61			
		21	2	59			

BAHMAN PUMP

Model	Speed (r/min)	Flowrate (m <sup>3</sup> /h)	Head (m)	Efficiency (%)	Motor Power (kw)		
					Medium Density (g/cm <sup>2</sup> )		
					1.0	1.35	1.85
BPH80-65-160	2900	30	34	57	11	11	15
		40	30	67			
		50	28.4	65			
	1450	15	7.5	50	1.5	1.5	2.2
		25	6	62			
		28	5.2	62			
BPH80-65-160A	2900	25	27	55	7.5	11	15
		38	24.8	65			
		42	20	63			
	1450	12	6.5	48	1.1	1.5	2.2
		19	5	60			
		23	4.7	60			
BPH80-65-160B	2900	22	24	54	5.5	7.5	11
		34	19.5	64			
		38	16.5	62			
	1450	11	6.0	47	0.75	1.1	1.5
		18	4.7	59			
		21	4.1	59			

**BAHMAN PUMP**

Model	Speed (r/min)	Flowrate (m <sup>3</sup> /h)	Head (m)	Efficiency (%)	Motor Power (kw)		
					Medium Density (g/cm <sup>2</sup> )		
					1.0	1.35	1.85
BPH80-50-200	2900	30	51.2	53	15	18.5	30
		50	46	62			
		58	42	62			
	1450	15	11.5	44	2.2	3.0	4.0
		25	10.5	57			
		30	9	58			
BPH80-50-200A	2900	27	43	51	11	15	18.5
		44	39	61			
		52	34	60			
	1450	13	10	42	1.5	2.2	3.0
		22.5	8	55			
		27	7.5	56			
BPH80-50-200B	2900	24	33	50	7.5	11	15
		40	30	60			
		48	26	59			
	1450	12	7.5	41	1.1	1.5	2.2
		20	6	54			
		24	5.5	55			

**BAHMAN PUMP**

Model	Speed (r/min)	Flowrate (m <sup>3</sup> /h)	Head (m)	Efficiency (%)	Motor Power (kw)		
					Medium Density (g/cm <sup>2</sup> )		
					1.0	1.35	1.85
BPH80-50-250	2900	30	78.5	46	30	37	45
		50	72	59			
		58	65	60			
	1450	15	21	43	4.0	5.5	7.5
		25	19	52			
		30	18	54			
BPH80-50-250A	2900	28.1	73.6	43	22	30	37
		46.9	70.5	56			
		56.3	67.4	58			
	1450	14	18.4	42	3.0	4.0	5.5
		23.4	17.6	50			
		28.2	16.9	49			
BPH80-50-250B	2900	26.4	64.8	41	18.5	30	37
		44	62.2	54			
		52.8	60	57			
	1450	13.2	16.2	41	3.0	4.0	5.5
		22	15.6	48			
		26.4	15	47			

BAHMAN PUMP

Model	Speed (r/min)	Flowrate (m <sup>3</sup> /h)	Head (m)	Efficiency (%)	Motor Power (kw)		
					Medium Density (g/cm <sup>2</sup> )		
					1.0	1.35	1.85
BPH80-50-315	1450	15	29	38	7.5	7.5	11
		22	25	48			
		29	21	52			
BPH80-50-315A	1450	13	26	36	5.5	7.5	11
		19	23	46			
		23	19	50			
BPH80-50-315B	1450	13.2	22	35	4.0	5.5	7.5
		18	20	45			
		21	17.5	49			
BPH80-50-315C	1450	11	18	34	3.0	4.0	5.5
		16	16	44.5			
		18	14	48			
BPH100-80-125	2900	55	22	65	11	15	18.5
		80	18	73			
		90	15	69			
	1450	25	5	60	2.2	3	4
		35	4	68			
		42	3	62			

**BAHMAN PUMP**

Model	Speed (r/min)	Flowrate (m <sup>3</sup> /h)	Head (m)	Efficiency (%)	Motor Power (kw)		
					Medium Density (g/cm <sup>2</sup> )		
					1.0	1.35	1.85
BPH 100-80-125A	2900	55.1	20.7	62	7.5	11	15
		91.8	16.8	70			
		110.2	13.4	66			
	1450	27.5	5.18	58	1.1	1.5	2.2
		45.9	4.2	66			
		55	3.35	60			
BPH 100-80-160	2900	60	37	60	15	22	30
		100	32	73			
		120	28	73			
	1450	30	9.25	58	2.2	3.0	4.0
		50	8.0	69			
		60	7.0	68			
BPH 100-80-160A	2900	60	37	60	15	22	30
		100	32	73			
		120	28	73			
	1450	30	9.25	58	2.2	3.0	4.0
		50	8.0	69			
		60	7.0	68			

**BAHMAN PUMP**

Model	Speed (r/min)	Flowrate (m <sup>3</sup> /h)	Head (m)	Efficiency (%)	Motor Power (kw)		
					Medium Density (g/cm <sup>2</sup> )		
					1.0	1.35	1.85
BPH100-80-160B	2900	50	19	56	7.5	11	15
		65	15	69			
		78	11	69			
	1450	20	4.8	55	1.1	1.5	2.2
		33	4	66			
		40	3.2	65			
BHP100-65-200	2900	66	52	63	30	37	45
		88	40	72			
		105	32	71			
	1450	27	12	60	3.0	4.0	5.5
		45	10	68			
		55	8.5	63			
BPH100-65-200A	2900	50	42	61	18.5	30	37
		80	35	70			
		90	27	69			
	1450	24	10	58	3.0	4.0	5.5
		40	8	66			
		49	7	61			

**BAHMAN PUMP**

Model	Speed (r/min)	Flowrate (m <sup>3</sup> /h)	Head (m)	Efficiency (%)	Motor Power (kw)		
					Medium Density (g/cm <sup>2</sup> )		
					1.0	1.35	1.85
BPH100-65-200B	2900	48	36	60	15	22	30
		73	35	69			
		98	29	68			
	1450	25	8	57	2.2	3.0	4.0
		39	6.5	65			
		48	5.5	60			
BPH100-65-250	2900	60	85	57	45	55	75
		100	75	68			
		120	68	67			
	1450	30	18	50	5.5	7.5	11
		50	16	63			
		60	13.5	64			
BPH100-65-250A	2900	55	73	54	37	45	75
		93	68	65			
		110	60	64			
	1450	28	16.5	48	5.5	7.5	11
		46	15	61			
		55	12	62			

**BAHMAN PUMP**

Model	Speed (r/min)	Flowrate (m <sup>3</sup> /h)	Head (m)	Efficiency (%)	Motor Power (kw)		
					Medium Density (g/cm <sup>2</sup> )		
					1.0	1.35	1.85
BPH100-65-250B	2900	48	65	52	30	45	55
		73	55	63			
		90	48	62			
	1450	22	14	47	4.0	5.5	7.5
		39	11.5	60			
		45	10	61			
BPH100-65-315	1450	28	29	44	11	15	18.5
		45	25	58			
		55	20.5	60			
BPH100-65-315A	1450	24	25	42	11	11	15
		40	21.5	56			
		50	18	58			
BPH100-65-315B	1450	22	23	41	7.5	11	15
		40	21	55			
		52	19	57			
BPH100-65-315C	1450	20	20.5	40	5.5	7.5	11
		37	18	54			
		45	17.5	56			

**BAHMAN PUMP**

Model	Speed (r/min)	Flowrate (m <sup>3</sup> /h)	Head (m)	Efficiency (%)	Motor Power (kw)		
					Medium Density (g/cm <sup>2</sup> )		
					1.0	1.35	1.85
BPH 125-80-200	2900	120	61	68	45	55	90
		200	50	77			
		240	41	70			
	1450	60	15.2	64	7.5	11	15
		100	12.5	73			
		120	10.2	66			
BPH 125-80-200A	2900	110	50.5	66	37	45	75
		182	41.4	75			
		218	34	68			
	1450	55	12.6	62	5.5	7.5	11
		91	10.4	71			
		109	8.5	64			
BPH 125-80-200B	2900	99.6	41.5	65	30	37	55
		166	34	74			
		199	28	67			
	1450	49.8	10.5	61	4.0	5.5	7.5
		83	8.5	70			
		99.5	7.0	63			

**BAHMAN PUMP**

Model	Speed (r/min)	Flowrate (m <sup>3</sup> /h)	Head (m)	Efficiency (%)	Motor Power (kw)		
					Medium Density (g/cm <sup>2</sup> )		
					1.0	1.35	1.85
BPH 125-80-250	2900	120	90	62	75	110	132
		200	80	75			
		240	73	74			
	1450	60	22.5	59	11	15	18.5
		100	20	72			
		120	18.2	71			
BPH 125-80-250A	2900	112	78	60	75	90	110
		186.5	69.5	73			
		224	63.5	72			
	1450	56	19.5	57	11	11	15
		93.5	17.5	70			
		112	16	69			
BPH125-80-250B	2900	105	29	58	55	75	110
		175.5	48	71			
		211	58	70			
	1450	52	15	55	7.5	11	15
		87	24	68			
		105	29	67			

**BAHMAN PUMP**

Model	Speed (r/min)	Flowrate (m <sup>3</sup> /h)	Head (m)	Efficiency (%)	Motor Power (kw)		
					Medium Density (g/cm <sup>2</sup> )		
					1.0	1.35	1.85
BPH 125-80-250C	2900	95.4	57	56	45	55	75
		159	50.5	69			
		190	46	68			
	1450	47.7	14	53	5.5	7.5	11
		79	12.6	66			
		95	11.5	65			
BPH 125-80-315	1450	60	33.5	53	18.5	22	30
		100	32	65			
		120	30.5	66			
BPH 125-80-315A	1450	56	29.5	54	15	18.5	30
		93	27.5	64			
		112	26.5	65			
BPH 125-80-315B	1450	52	25	53	15	18.5	22
		88	24	63			
		105	23	64			
BPH 125-80-315C	1450	49	22.5	52	11	15	18.5
		82	21.5	62			
		98	20.5	63			

**BAHMAN PUMP**

Model	Speed (r/min)	Flowrate (m <sup>3</sup> /h)	Head (m)	Efficiency (%)	Motor Power (kw)		
					Medium Density (g/cm <sup>2</sup> )		
					1.0	1.35	1.85
BPH 125-80-400	1450	60	52	48	30	45	55
		100	50	55			
		120	48.5	62			
BPH 125-80-400A	1450	56	45	46	30	37	45
		93	43	52			
		112	41	60			
BPH 125-80-400B	1450	52	40	45	22	30	45
		87	38.5	51			
		105	37	58			
BPH 125-80-400C	1450	48	34.5	43	18.5	30	37
		81	33.2	50			
		97	32.2	56			
BPH 150-125-250	1450	120	24.8	66	18.5	30	37
		200	20	77			
		240	15	68			
BPH 150-125-250A	1450	109	20.5	64	15	18.5	30
		182	16.5	75			
		218	12.5	66			

**BAHMAN PUMP**

Model	Speed (r/min)	Flowrate (m <sup>3</sup> /h)	Head (m)	Efficiency (%)	Motor Power (kw)		
					Medium Density (g/cm <sup>2</sup> )		
					1.0	1.35	1.85
BPH150-125-250B	1450	95	15.9	62	11	15	22
		150	11	73			
		180	7.8	64			
BPH150-125-315	1450	110	31	63	30	37	55
		175	26	75			
		200	21	72			
BPH150-125-315A	1450	99	26	60	22	30	45
		162	20.5	73			
		180	18	69			
BPH150-125-315B	1450	90	24	58	18.5	30	37
		158	18	71			
		175	15.2	66			
BPH150-125-400	1450	110	48	61	55	75	90
		177	40	70			
		210	35.5	63			
BPH150-125-400A	1450	102	42	58	37	55	75
		171	37	68			
		192	31	60			

## BAHMAN PUMP

Model	Speed (r/min)	Flowrate (m <sup>3</sup> /h)	Head (m)	Efficiency (%)	Motor Power (kw)		
					Medium Density (g/cm <sup>2</sup> )		
					1.0	1.35	1.85
BPH150-125-400B	1450	102	41.5	55	37	45	75
		170	36	66			
		204	31.8	58			
BPH150-125-400C	1450	96	37	53	30	37	55
		160	32	64			
		192	28	56			
BPH200-150-250	1450	240	23	63	37	55	75
		400	20	75			
		460	18	74			
BPH200-150-250A	1450	218	19	64	30	37	55
		263	16	76			
		418	15	73			
BPH200-150-250B	1450	204	16	62	22	30	45
		340	15	74			
		390	13	71			
BPH 200-150-315	1450	240	35.6	67	55	75	110
		400	32	73			
		460	29.4	77			

Model	Speed (r/min)	Flowrate (m <sup>3</sup> /h)	Head (m)	Efficiency (%)	Motor Power (kw)		
					Medium Density (g/cm <sup>2</sup> )		
					1.0	1.35	1.85
BPH200-150-315A	1450	218	29	64	45	55	75
		363	25	77			
		418	24	74			
BPH200-150-315B	1450	204	25.7	61	37	55	75
		340	23.1	74			
		390	21.2	71			
BPH200-150-400	1450	240	55.8	67	90	132	160
		400	50	78			
		460	47	75			
BPH200-150-400A	1450	218	46	64	5	90	132
		363	41	76			
		418	39	72			
BPH 200-150-400B	1450	204	40.3	61	55	75	110
		340	38	74			
		390	34	69			
BPH 200-150-400C	1450	192	35.7	59	55	75	90
		320	32	72			
		360	30	64			